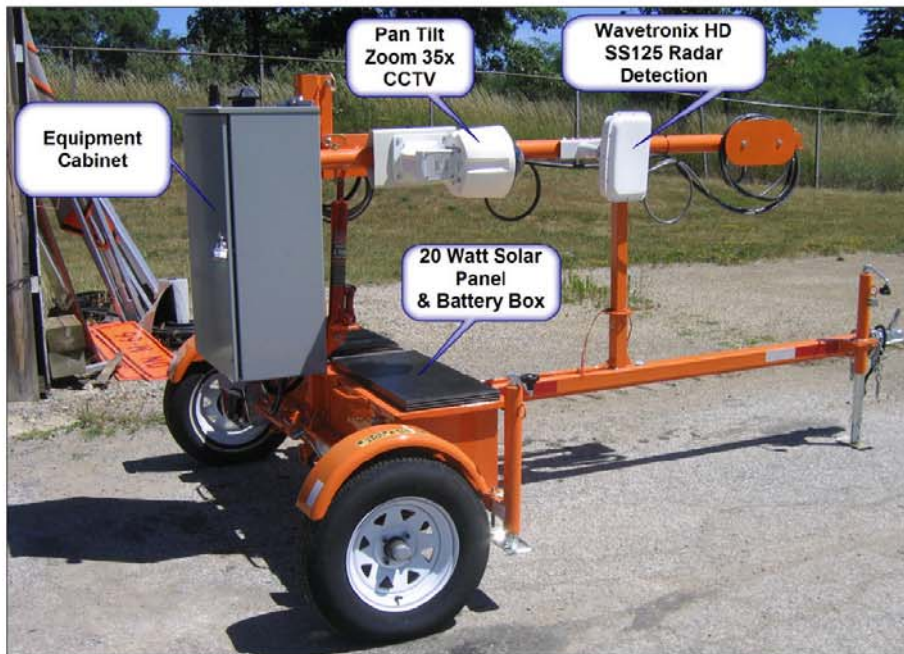


# MICHIGAN ITS TRAILER



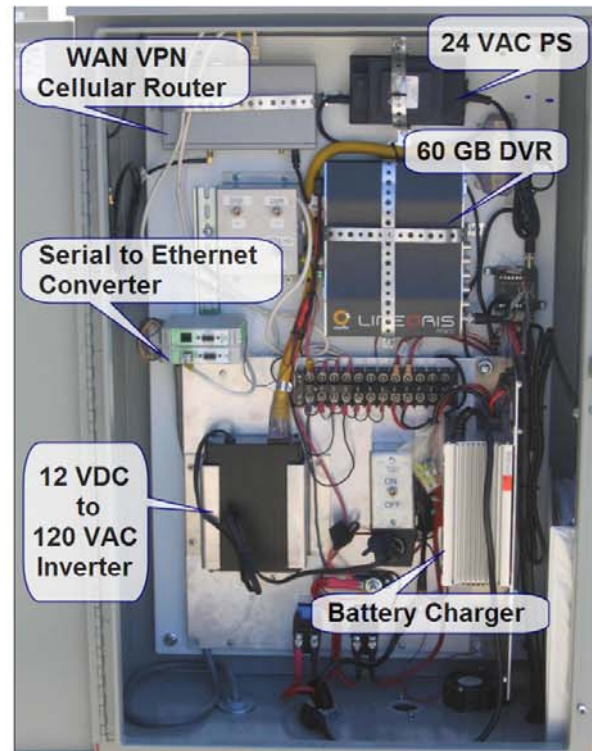
## Trailer Down

- \*Easily deployed and set up roadside in urban or rural areas
- \*The two 20 watt solar panels provide a trickle charge to the batteries
- \*Storage for eight 12VDC batteries
- \*A generator can also be added to increase the on-site time



## Trailer Up

- \*26' fully extended
- \*PTZ viewed and controlled real time via hi-speed cellular broadband connection
- \*Wavetronix HD digital radar used for speed, volume, and classification
- \*Typical seven day run time



## Trailer Cabinet

- \*Ethernet based system
- \*Four port cellular router
- \*Sprint PCS network
- \*Hardened DVR can be replaced with a video encoder