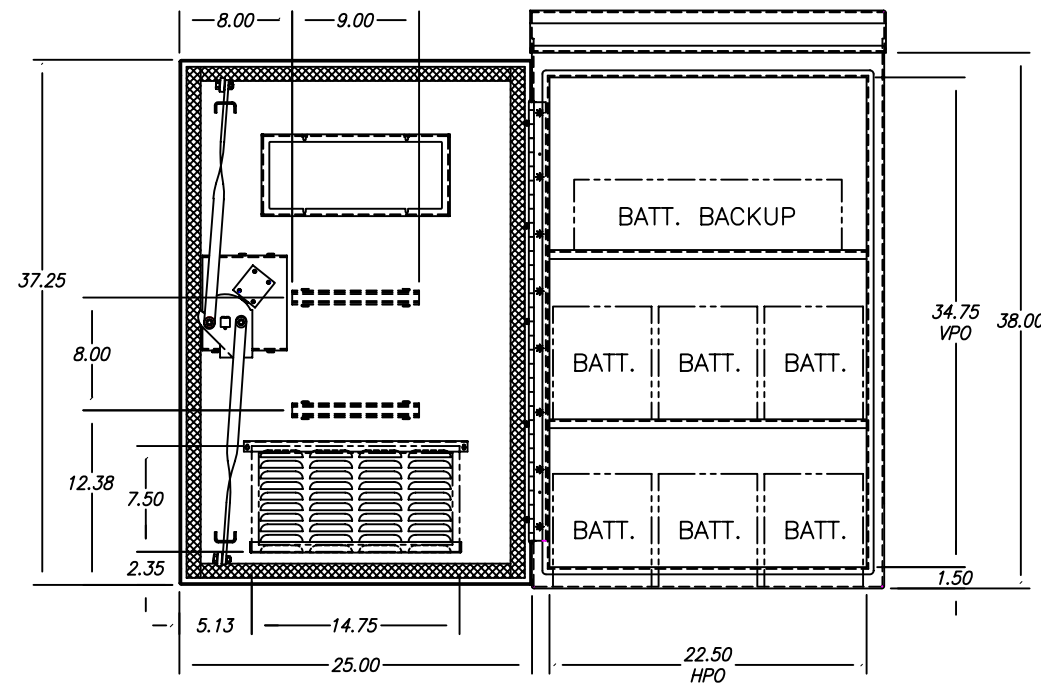
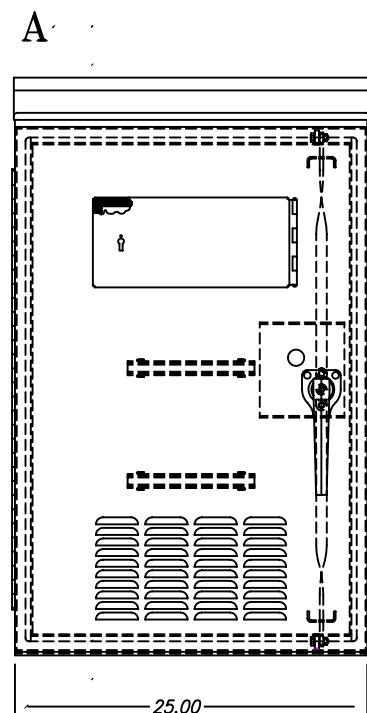


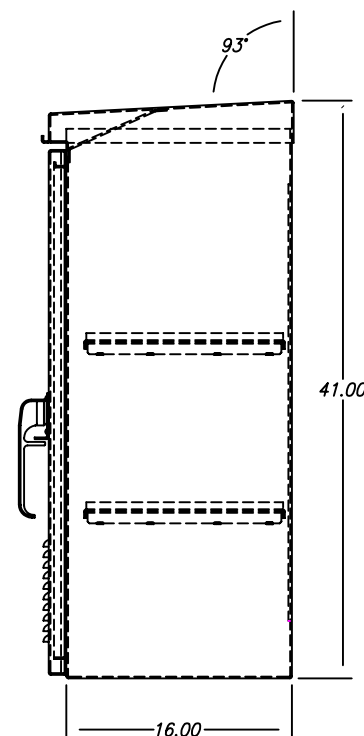
TOP VIEW



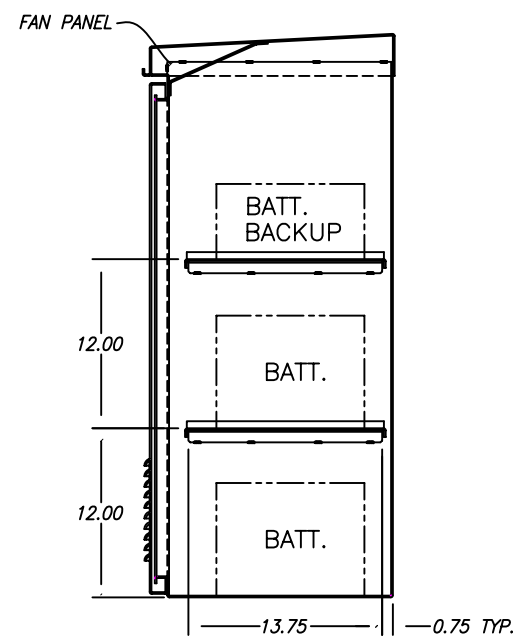
FRONT VIEW  
COVER OPEN



FRONT VIEW



SIDE VIEW



SECTION A-A

**Features:**

Door & lock-door are NEMA type 3R construction with neoprene gasket, rain tight. Continuous piano hinge 0.075 thk. aluminum with stainless steel pin, secured by 1/4 -20 stainless steel carriage bolts. Standard equipment includes a three point locking systems which secures door at top, bottom and center with a #2 Corbin lock, door rods are 1/4 x 3/4 aluminum bar with 1" nylon rollers, main door handle is steel brush zinc plated.

**Equipment Shelves:**

Two removable full width shelves are furnished with each cabinet, shelf is 14" deep.

**Ventilation:**

A vent pattern is provided on the under side of the cover overhang, louvered slots are formed on the lower part of door. This creates a natural of air and has a cooling effect on electrical equipments. If specifications call for exhaust fan, provisions are made to accomodate it. The intake and exhaust are rain tight and will not drain water into cabinet.

**Material:**

Aluminum 0.125 thk. 5052-H32

**Finish:**

Aluminum mill finish, paint is optional.

**Standard Hardware:**

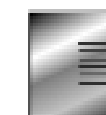
All exterior hardware are stainless steel

FOR MORE DETAIL, REQUEST  
SPECIFICATION DRAWING(S)  
NOT TO SCALE

Part No. FCU104013-01	Rev A
Date: 04-16-04	Drawn: Raudel M.

Description

**ALUMINUM ENCLOSURE**  
**25.00" W X 41.00" H X 15.00" D**



**CALIFORNIA**  
**CHASSIS**

3356 E. La Palma Avenue, Anaheim, CA 92806  
Phone: (714) 666-8511 Fax: (714) 666-8509  
www.calchassis.com